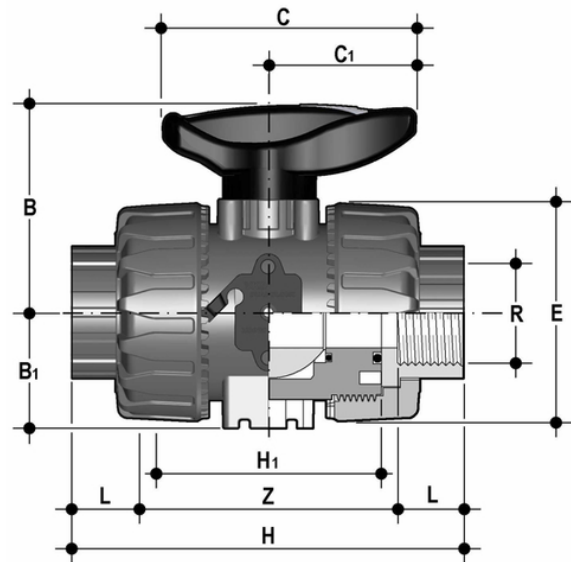


VKDFM - DUAL BLOCK[®] 2-way ball valve

Dual Block[®] 2-way ball valve with BSP threaded female ends



EPDM

Objednací číslo	R	DN	PN	B	B (5:1)	C	C (5:1)	E	H	H (5:1)	L	Z	g
VKDFM012E	1/2"	15	10	54	29	67	40	54	110	65	15	80	145
VKDFM034E	3/4"	20	10	65	34,5	85	49	65	116	70	16	83	220
VKDFM100E	1"	25	10	69,5	39	85	49	73	134	78	19	96	298
VKDFM114E	1" 1/4	32	10	82,5	46	108	64	86	153	88	21	110	488
VKDFM112E	1" 1/2	40	10	89	52	108	64	98	156	93	21	113	682
VKDFM200E	2"	50	10	108	62	134	76	122	186	111	26	135	1181

FKM

Objednací číslo	R	DN	PN	B	B (5:1)	C	C (5:1)	E	H	H (5:1)	L	Z	g
VKDFM012F	1/2"	15	10	54	29	67	40	54	110	65	15	80	145
VKDFM034F	3/4"	20	10	65	34,5	85	49	65	116	70	16	83	220
VKDFM100F	1"	25	10	69,5	39	85	49	73	134	78	19	96	298
VKDFM114F	1" 1/4	32	10	82,5	46	108	64	86	153	88	21	110	488
VKDFM112F	1" 1/2	40	10	89	52	108	64	98	156	93	21	113	682
VKDFM200F	2"	50	10	108	62	134	76	122	186	111	26	135	1181

VKDFM – DUAL BLOCK[®] 2-way ball valve

- Ergonomic HIPVC handle equipped with **removable tool to adjust the ball seat carrier**.
- **Handle lock 0°– 90°** SHKD (available as an accessory) ergonomically operable during service and padlockable
- Robust **integrated bracket for valve anchoring**, for easy and quick automation even after valve installation on the system via the Power Quick module (optional)
- **DUAL BLOCK[®]** patented lock system that ensures union nut tightening hold even in severe conditions such as vibrations or heat dilation
- Machined high surface finish ball that guarantees a smooth operation and increased reliability

- Connection system for solvent weld, threaded and flanged joints
- Patented **SEAT STOP[®]** ball carrier system that lets you micro-adjust ball seats and minimise the axial force effect
- Easy radial dismounting allowing quick replacement of O-rings and ball seats without any need for tools
- **PN16 True Union valve body** made for rigid PVC-U injection moulding equipped with built-in bores for actuation. ISO 9393 compliant test requisites
- Option of dismounting downstream pipes with the valve in the closed position
- Floating **full bore ball** with high surface finish
- **Integrated bracket** for valve anchoring
- Ball seat carriers can be adjusted using the **Easytorque adjustment kit**
- Possibility to have handle with integrated LSQT limit micro switch, even as a retrofit in existing installations