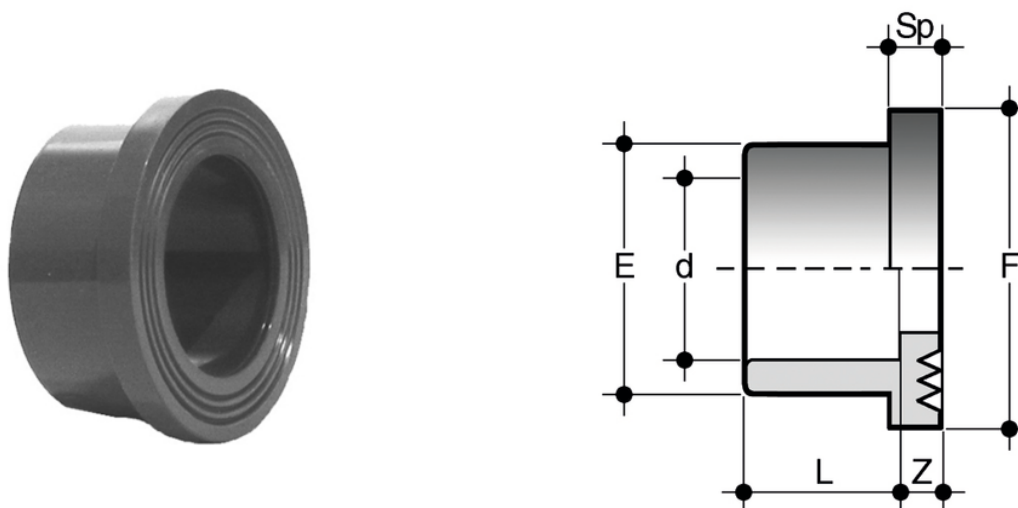


# QRC

Stub with serrated face according to DIN 8063 PN 10/16 with solvent weld socket, for use with flat gasket (for gasket sizes, see QHV)



Objednáč číslo	product.detail.attribute.d	DN	product.detail.attribute.PN	product.detail.attribute.E	product.detail.attribute.F	L	product.d
QRC020	20	15	16	27	34	16	7
QRC025	25	20	16	33	41	19	7
QRC032	32	25	16	41	50	22	7
QRC040	40	32	16	50	61	26	8
QRC050	50	40	16	61	73	31	8
QRC063	63	50	16	76	90	38	9
QRC075	75	65	16	90	103	44	10
QRC090	90	80	16	108	125	51	10
QRC110	110	100	16	131	150	61	12
QRC160	160	150	16	188	212	86	16
QRC225	225	200	10	245	273	119	25



## QRC

Series of fittings designed for conveying fluids under pressure with a cold chemical weld jointing system (solvent welding) using a suitable solvent cement (TemperGLUE WELD-ON) and cleaner-primer.