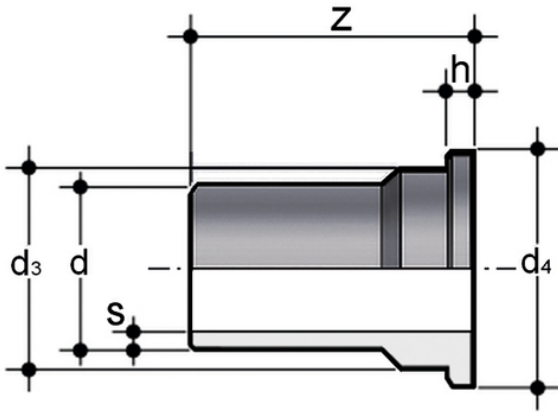


Q/BBM-L

Union end, long spigot, for butt welding for union BBM-L



Objednací číslo	product.detail.attribute.d	product.detail.attribute.d[5:3]	product.detail.attribute.d[5:4]	product.detail.attribute.h	product.detail.attribute.s
QBBML11020	20	27,4	30	5	1,9
QBBML11025	25	35,9	38,7	6	2,3
QBBML11032	32	41,4	44,6	6	2,9
QBBML11040	40	52,8	56,4	7	3,7
QBBML11050	50	58,8	62,5	7	4,6
QBBML11063	63	73,8	78,3	8	5,8



Q/BBM-L

Series of fittings designed for conveying fluids under pressure with a weld connection system (butt welding).